



F535

Leak detector for manual test benches



Picture showing F535 including optional operator interface panel



- ✓ NEW PRACTICAL FORMAT
- ✓ OPTIMISED MEASUREMENT
- ✓ DESIGNED FOR FLEXIBILITY
- ✓ EASY SET-UP
- ✓ COMPREHENSIVE SPECIFICATIONS

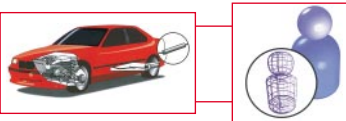
5 SERIES

Specially adapted for manual or semi-automatic test benches. The F535 comes with a high level of specifications as standard together with the latest advances in measurement and operation.

Main Features

- Differential pressure decay leak measurement
- 2 ranges of leak measurement (ΔP)
Full scale: 50 Pa or 500 Pa
- Test modes:
 - ΔP
 - $\Delta P / \Delta t$
 - Flow units
 - Blockage test
 - and others, depending on your applications
- New, faster system to fill parts
- Manual calibration on front panel with calibrated leak
- Outputs and regulation via front or rear panel
- 16 programs
- **Serial links:**
RS232: printer, bar code reader, P.C. and save module
RS232: intelligent remote control
RS485: ATEQ network
Infrared: switch, LFC, P.C...
- 7 inputs / 5 outputs
- Time and date display, choice of languages and units, customisation of tests for your requirements, automatic measurement cycle...

Applications



Automotive: shock absorbers, gearboxes, tank caps, carburettors, non return valves, cylinder heads, filters, radiators, seals, cylinders, engine oil and water circuits...

Domestic appliances: bottles, percolators, cookers, steam irons, ovens, washing machines...

Medical: catheters, dialysis equipment, micropipettes, plastic taps, drain bags, syringes, valves...

Packaging: aerosol cans and valves, trigger pumps, ink cartridges, cosmetic bottles, food sachets...

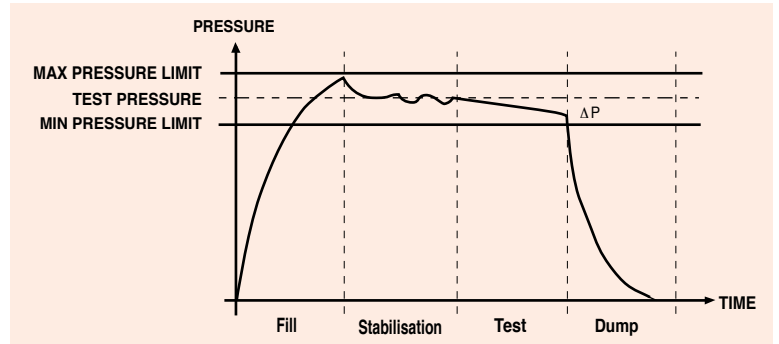
Options

- Electronic regulator
- Dual pressure
- High speed valve
- 2 pneumatic outputs for control of sealing connectors
- 6 x 24 V programmable outputs for external connection
- 2 analogue outputs:
0 - 10 V or 4 - 20 mA
- Automatic calibration check
- Temperature compensation

Principle of Measurement



Programming panel can be detached from pneumatic module (2 m max)



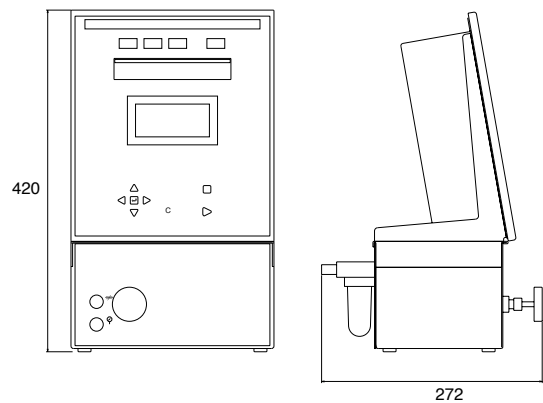
Measurement Ranges

ΔP MEASUREMENT		
RANGE	ACCURACY	MAXIMUM RESOLUTION
0 - 50 Pa	± 1% of full scale	0.01 Pa
0 - 500 Pa	± 1% of full scale	0.1 Pa

PRESSURE MEASUREMENT		
RANGE	ACCURACY	MAXIMUM RESOLUTION
All ranges	± 1% of full scale	0.1% of full Scale

MECHANICAL PRESSURE REGULATION		
Vacuum / 5 - 50 kPa / 20 - 400 kPa / 50 - 900 kPa		

ELECTRONIC PRESSURE REGULATION		
Vacuum / 1 - 10 kPa / 5 - 50 kPa / 20 - 200 kPa / 50 - 500 kPa / 100 - 1 000 kPa / 100 - 1 600 kPa / 100 - 2 000 kPa		



The **F535** is versatile enough to have its regulator, pneumatic outputs, RS232 and quick connectors mounted either on the front or the rear panel depending on the application.

Technical Specifications

- **Physical**
Weight: approximately 8 kg
- **Interface**
Navigation keys
4-line LCD display
High visibility LED alphanumeric display (14 characters)
Results indicator lights
- **External electrical supply**
Voltage: 24 V DC / 1.6 A
Mains adapter included (110 - 240 V AC)
- **Air supply**
Clean and dry air required
Air quality standard to be applied (ISO 8573-1)
- **Temperature**
Operating : + 10°C to + 45°C
Storage : 0°C to + 60°C

Accessories

- Remote control panel
 - Start/Reset remote control
 - Intelligent remote control
 - Bar code reader
 - Printer
 - Save configuration and results modules
 - ATEQ software
 - Needle valve
 - Calibrated leak
 - Filtration kit
 - Vacuum pump
 - Sealing connectors
- Please refer to ATEQ accessories list