

# F420 HP

High pressure compact leak detector for production testing



- TEST PRESSURE : UP TO 170 bar
- COMPACT FORMAT
- EXCELLENT VALUE
- SIMPLIFIED SETUP

## 5 SERIES

*Without any doubt the smallest high pressure leak detector on the market.*

*The F420 HP is equipped with the technical innovations of the 5 series and allows high pressure leak testing at a very competitive price.*



### Main Features

- Pressure decay leak testing from 5 to 1000 kPa (resolution 0.01 kPa)
- Range of measurement from 20 to 170 bar
- Test modes:
  - $\Delta P$
  - $\Delta P / \Delta t$
  - flow units (cm<sup>3</sup>/min, cm<sup>3</sup>/h)
  - blockage test
  - and others depending on your application
- 8 programs
- Serial link:
  - RS232: printer, and parameter storage modules
- And:
  - Time and ate display, choice of languages and units, customisation of the test, ...



### Applications



Catheters, refrigeration parts, oil radiators, HP tubes and pipes, valves, hydraulic brakes...

### Options

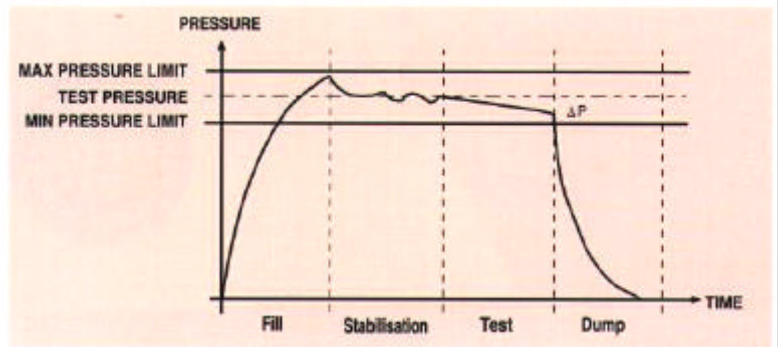
3 inputs / 4 outputs  
2 pneumatic outputs for the piloting of seal jigs



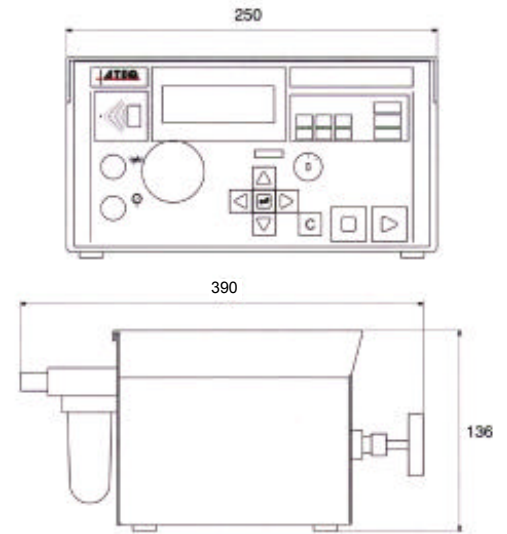
## Measurement principle



2 function remote control (accessories)



Configuration and results storage module (accessories)



## Technical Specifications

- **Physical**  
Weight: about 10 kg
- **Interface**  
Navigation keys  
4 line LCD display  
Results indicators
- **External power supply**  
Voltage: 24 V DC / 1,6 A  
Mains adapter included 100 - 240 V AC
- **Air supply**  
Clean and dry air required  
Air quality standard to be applied (ISO 8573-1)
- **Temperature**  
Operation : + 10°C to + 45°C  
Storage : 0°C to + 60°C

- Accessories**
- Start/Reset remote control
  - Printer
  - Needle valve
  - Calibrated master leak
  - Filtration kit
  - Sealing connectors
  - Please refer to ATEQ accessories list



Head office:  
15, rue des Dames - ZI des Dames - 78340 Les Clayes-Sous-Bois - France  
☎ : + 33 (0)1 30 80 10 20 - Fax : + 33 (0)1 30 54 11 00 - e-mail : info@ateq.com  
www.ateq.com