

Leak detector for manual test benches



Very new appliance

- ✓ OPTIMAL MEASUREMENT
- ✓ DESIGNED FOR FLEXIBILITY
- ✓ EASY SET-UP
- ✓ VERY COMPETITIVE

5 SERIES

Specially adapted for manual test benches. The F500 comes with a high level of specifications as standard together with the latest advances in measurement and operation.



Main features

- Differential pressure decay leak measurement
- 1 range of leak measurement (ΔP)
Full scale: 500 Pa
- Method of measurement:
 - ΔP
 - $\Delta P / \Delta t$
 - Flow units
 - Blockage test
- Manual calibration on front panel with calibrated leak
- Outputs and regulation via front or rear panel
- 2 programs
- **Serial links:**
 - RS232:** printer, bar code reader, P.C. and parameter storage module
 - RS232:** intelligent remote control
 - RS485:** ATEQ network
 - Infrared:** switch, LFC, P.C...
- 4 inputs / 5 outputs
- And :
choice of units, automatic measurement cycle...



Applications



Automotive: shock absorbers, gearboxes, tank caps, carburettors, non return valves, cylinder heads, filters, radiators, seals, cylinders, engine oil and water circuits...

Domestic appliances: bottles, percolators, cookers, steam irons, ovens, washing machines...

Medical: catheters, dialysis equipment, micropipettes, plastic taps, drain bags, syringes, valves...

Packaging: aerosol cans and valves, trigger pumps, ink cartridges, domestic bottles, food sachets...

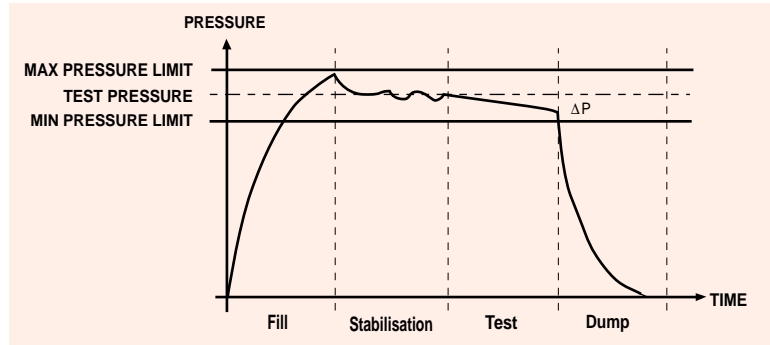
Options

Internal power supply
90 V - 260 V AC

2 pneumatic outputs for control
of sealing connectors

6 x 24 V programmable outputs
for external connection

Principle of measurement

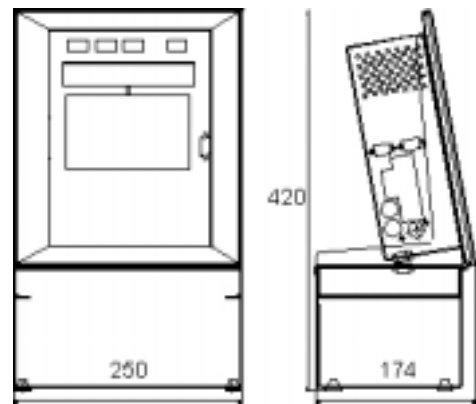


Measurement ranges

ΔP MEASUREMENT		
RANGE	ACCURACY X = reading	MAXIMUM RESOLUTION
0 - 500 Pa	± (1% of X + 3 digits)	1 Pa

PRESSURE MEASUREMENT		
RANGE	ACCURACY X = reading	MAXIMUM RESOLUTION
All ranges	± (1% of X + 3 digits)	0.1% of Full Scale

PRESSURE REGULATION (mechanical or electronic)		
Vacuum / 5 - 50 kPa / 5 - 400 kPa / 5 - 1 000 kPa		



The **F500** is versatile enough to have its regulator, pneumatic outputs, RS232 and quick connectors mounted either on the front or the rear panel depending on the application.

Technical specifications

- **Physical**
Weight: approximately 8 kg
- **Interface**
Navigation keys
High visibility LED alphanumeric display (14 characters)
Results indicator lights
- **External electrical supply**
Voltage: 24 VDC / 1.6 A
Charger included (110 V or 230 V)
- **Air supply**
Clean and dry air required
Air quality standard to be applied (ISO 8573-1)
- **Temperature**
Operating: + 10°C to + 45°C
Storage: 0°C to + 60°C

Accessories

- Remote control panel
 - 2 functions remote control
 - Intelligent remote control
 - Printer
 - Infrared switch
 - Parameter storage module
 - ATEQ software
 - Modem
 - Needle valve
 - Calibrated leak
 - Filtration kit
 - Vacuum pump
 - Sealing connectors
- Refer to ATEQ accessories list*