



# F530

## Leak detector for manual test benches



Very new appliance

- ✓ OPTIMAL MEASUREMENT
- ✓ DESIGNED FOR FLEXIBILITY
- ✓ EASY SET-UP
- ✓ FULLY EQUIPMENT

### 5 SERIES

*Specially adapted for manual or semi-automatic test benches. The F530 comes with a high level of specifications as standard together with the latest advances in measurement and operation.*



#### Main features

- Differential pressure decay leak measurement
  - 2 ranges of leak measurement ( $\Delta P$ )  
Full scale: 50 Pa or 500 Pa
  - Test modes:
    - $\Delta P$
    - $\Delta P / \Delta t$
    - Flow units
    - Blockage test
    - and others, depending on your applications
  - New, faster system to fill parts
  - Manual calibration on front panel with calibrated leak
- Outputs and regulation via front or rear panel
  - 4 programs
  - **Serial links:**  
**RS232:** printer, bar code reader, P.C. and save module  
**RS232:** intelligent remote control  
**RS485:** ATEQ network  
**Infrared:** switch, LFC, P.C...
  - 4 inputs / 5 outputs
  - And:  
Time and date display, choice of languages and units, customisation of tests for your requirements, automatic measurement



#### Applications



**Automotive:** shock absorbers, gearboxes, tank caps, carburettors, non return valves, cylinder heads, filters, radiators, seals, cylinders, engine oil and water circuits...

**Domestic appliances:** bottles, percolators, cookers, steam irons, ovens, washing machines...

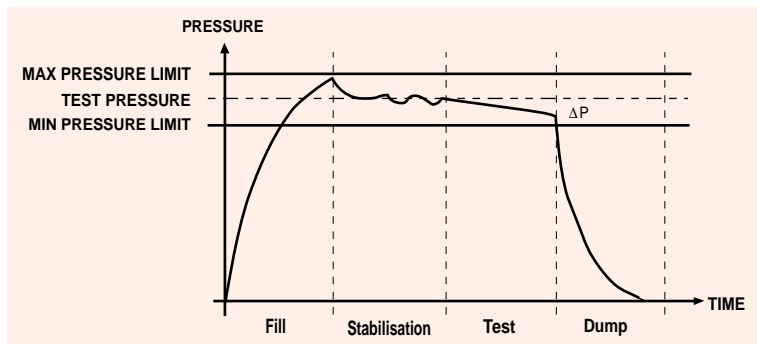
**Medical:** catheters, dialysis equipment, micropipettes, plastic taps, drain bags, syringes, valves...

**Packaging:** aerosol cans and valves, trigger pumps, ink cartridges, domestic bottles, food sachets...

#### Options

- Electronic regulator
- Dual pressure
- High speed valve
- Internal power supply  
90 V - 260 V AC
- 2 pneumatic outputs for control of sealing connectors
- 6 x 24 V programmable outputs for external connection
- 2 analog outputs:  
0 - 10 V or 4 - 20 mA
- Automatic calibration check
- Temperature compensation

## Principle of measurement

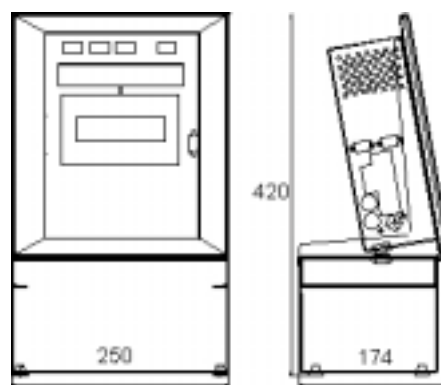


## Measurement ranges

ΔP MEASUREMENT		
RANGE	ACCURACY X = reading	MAXIMUM RESOLUTION
0 - 50 Pa	± (1% of X + 3 digits)	0.01 Pa
0 - 500 Pa	± (1% of X + 3 digits)	0.1 Pa

PRESSURE MEASUREMENT		
RANGE	ACCURACY X = reading	MAXIMUM RESOLUTION
All ranges	± (1% of X + 3 digits)	0.1% of Full Scale

PRESSURE REGULATION (mechanical or electronic)		
Vacuum / 5 - 50 kPa / 5 - 400 kPa / 5 - 1 000 kPa		



The F530 is versatile enough to have its regulator, pneumatic outputs, RS232 and quick connectors mounted either on the front or the rear panel depending on the application.

## Technical specifications

### Physical

Weight: approximately 8 kg

### Interface

Navigation keys  
4-line LCD display  
High visibility LED alphanumeric display (14 characters)  
Results indicator lights

### External electrical supply

Voltage: 24 V AC / 1.6 A  
Charger included (110 or 230 V AC)

### Air supply

Clean and dry air required  
Air quality standard to be applied (ISO 8573-1)

### Temperature

Operating: + 10°C to + 45°C  
Storage: 0°C to + 60°C

### Accessories

Remote control panel  
2-functions remote control  
Intelligent remote control  
Bar code reader  
Printer  
Infrared switch  
Parameter storage module  
ATEQ software  
Modem  
Needle valve  
Calibrated leak  
Filtration kit  
Vacuum pump  
Sealing connectors  
Refer to ATEQ accessories list